

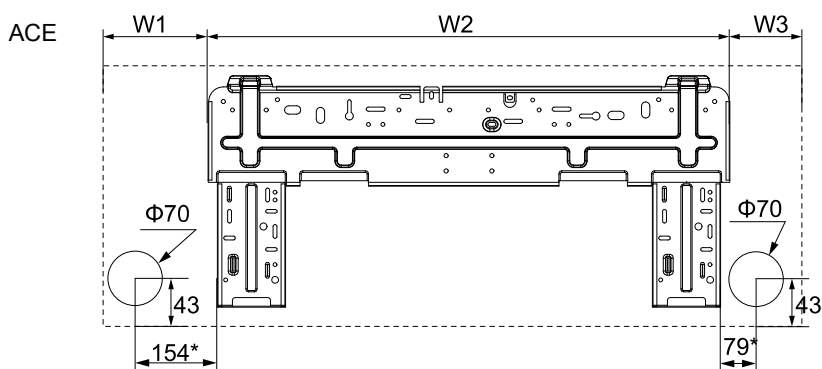
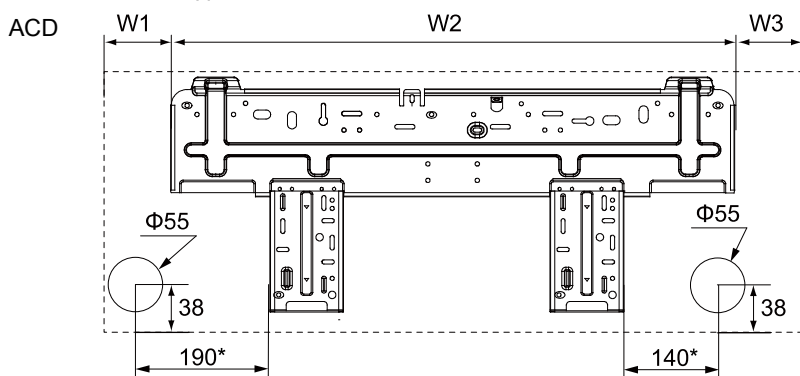
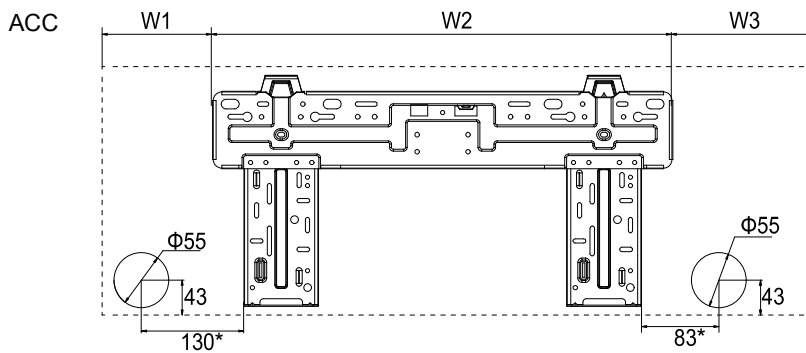
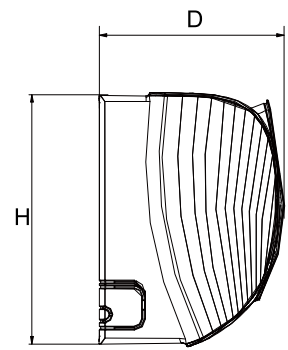
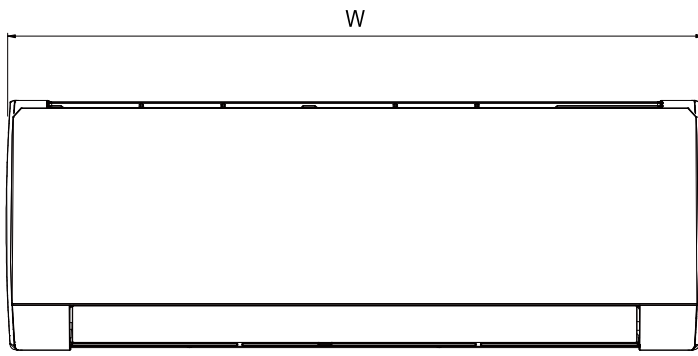
Model			GWH09ACC-K6DNA1F	GWH09ACC-K6DNA1F	
Product Code			CB497016000 CB497016001 CB497016002	CB497016003 CB497016004 CB497016006 <u>CB497016007</u>	
Power Supply	Rated Voltage	V~	220-240	220-240	
	Rated Frequency	Hz	50	50	
	Phases		1	1	
Power Supply Mode			Outdoor	Outdoor	
Cooling Capacity	W		2700	2700	
Heating Capacity	W		3000	3000	
Cooling Power Input	W		695	695	
Heating Power Input	W		700	700	
Cooling Current Input	A		3.1	3.1	
Heating Current Input	A		3.2	3.2	
Rated Input	W		1400	1400	
Rated Cooling Current	A		6	6	
Rated Heating Current	A		6.2	6.2	
Air Flow Volume	m ³ /h		610/570/540/470/440/420/390	610/570/540/470/440/420/390	
Dehumidifying Volume	L/h		1.69	1.69	
EER	W/W		3.885	3.88	
COP	W/W		4.286	4.29	
SEER	W/W		7.5	7.5	
SCOP(Average/WarmerColder)	W/W		4.2/5.3/3.4	4.2/5.3/3.4	
Application Area	m ²		12-18	12-18	
Indoor Unit	Model		GWH09ACC-K6DNA1F/I	GWH09ACC-K6DNA1F/I	
	Product Code		CB497N16000 CB497N16001 CB497N16002	CB497N16000 CB497N16002 CB497N16006 CB497N16007	
	Fan Type		Cross-flow	Cross-flow	
	Fan Diameter Length(DXL)	mm		Φ98×633.5	Φ98×633.5
	Cooling Speed	r/min		1200/1100/1050/950/900/850/800	1200/1100/1050/950/900/850/800
	Heating Speed	r/min		1150/1100/1050/1000/950/900/850	1150/1100/1050/1000/950/900/850
	Fan Motor Power Output	W		20	20
	Fan Motor RLA	A		0.31	0.31
	Fan Motor Capacitor	μF		1.5	1.5
	Evaporator Form			Aluminum Fin-copper Tube	Aluminum Fin-copper Tube
	Evaporator Pipe Diameter	mm		Φ5	Φ5
	Evaporator Row-fin Gap	mm		2-1.4	2-1.4
	Evaporator Coil Length (LXDXW)	mm		635×22.8×306.3	635×22.8×306.3
	Swing Motor Model			MP24EB/MP24HF	MP24EB/MP24HF
	Swing Motor Power Output	W		1.5/1.5	1.5/1.5
	Fuse Current	A		3.15	3.15
	Sound Pressure Level	dB (A)		Cooling:38/36/34/31/29/27/25 Heating:38/37/35/34/32/29/28	Cooling:38/36/34/31/29/27/25 Heating:38/37/35/34/32/29/28
	Sound Power Level	dB (A)		Cooling:54/48/46/43/41/39/37 Heating:56/49/47/46/44/41/40	Cooling:54/48/46/43/41/39/37 Heating:56/49/47/46/44/41/40
	Dimension (WXHXD)	mm		889X294X212	889X294X212
	Dimension of Carton Box (LXWXH)	mm		935X349X273	935X349X273
	Dimension of Package (LXWXH)	mm		940X365X284	940X365X284
Net Weight	kg		11	11	
Gross Weight	kg		13	13	

Outdoor Unit	Outdoor Unit Model		GWH09AFC-K6DNA2F/O	GWH09AFC-K6DNA2F/O
	Outdoor Unit Product Code		CB363W02900	CB363W02901
	Compressor Manufacturer		ZHUHAI LANDA COMPRESSOR CO.,LTD	ZHUHAI LANDA COMPRESSOR CO.,LTD
	Compressor Model		QXF-A082zC170	QXF-A082zC170
	Compressor Oil		ZE-G;ES RB68GX or equivalent	ZE-G;ES RB68GX or equivalent
	Compressor Type		Rotary	Rotary
	Compressor LRA.	A	15	15
	Compressor RLA	A	2.56	2.56
	Compressor Power Input	W	756.6	756.6
	Compressor Overload Protector		/	/
	Throttling Method		Capillary	Capillary
	Set Temperature Range	°C	16~30	16~30
	Cooling Operation Ambient Temperature Range	°C	-15~50	-15~50
	Heating Operation Ambient Temperature Range	°C	-15~30	-25~30
	Condenser Form		Aluminum Fin-copper Tube	Aluminum Fin-copper Tube
	Condenser Pipe Diameter	mm	Φ7	Φ7
	Condenser Rows-fin Gap	mm	1-1.2	1-1.2
	Condenser Coil Length (LXDXW)	mm	666×19.05×527	666×19.05×527
	Fan Motor Speed	rpm	900	900
	Fan Motor Power Output	W	30	30
	Fan Motor RLA	A	0.4	0.4
	Fan Motor Capacitor	μF	/	/
	Outdoor Unit Air Flow Volume	m ³ /h	1950	1950
	Fan Type		Axial-flow	Axial-flow
	Fan Diameter	mm	400	400
	Defrosting Method		Automatic Defrosting	Automatic Defrosting
	Climate Type		T1	T1
	Isolation		I	I
	Moisture Protection		IPX4	IPX4
	Permissible Excessive Operating Pressure for the Discharge Side	MPa	4.3	4.3
	Permissible Excessive Operating Pressure for the Suction Side	MPa	2.5	2.5
	Sound Pressure Level (H/M/L)	dB (A)	50	50
	Sound Power Level (H/M/L)	dB (A)	61	61
Dimension(WXHXD)	mm	732X555X330	732X555X330	
Dimension of Carton Box (LXWXH)	mm	791X373X590	791X373X590	
Dimension of Package(LXWXH)	mm	794X376X615	794X376X615	
Net Weight	kg	23.5	23.5	
Gross Weight	kg	26	26	
Refrigerant		R32	R32	
Refrigerant Charge	kg	0.53	0.53	
Connection Pipe	Connection Pipe Length	m	5	5
	Connection Pipe Gas Additional Charge	g/m	16	16
	Outer Diameter Liquid Pipe		1/4"	1/4"
	Outer Diameter Gas Pipe		3/8"	3/8"
	Max Distance Height	m	10	10
	Max Distance Length	m	15	15
	Note: The connection pipe applies metric diameter.			

The above data is subject to change without notice. Please refer to the nameplate of the unit.

3. Outline Dimension Diagram

3.1 Indoor Unit

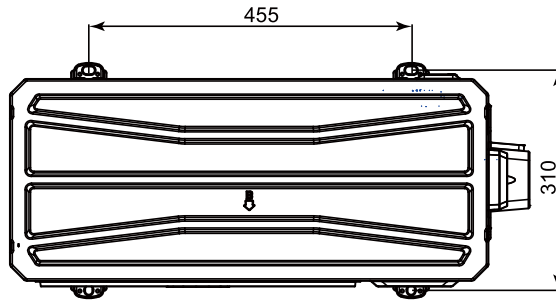
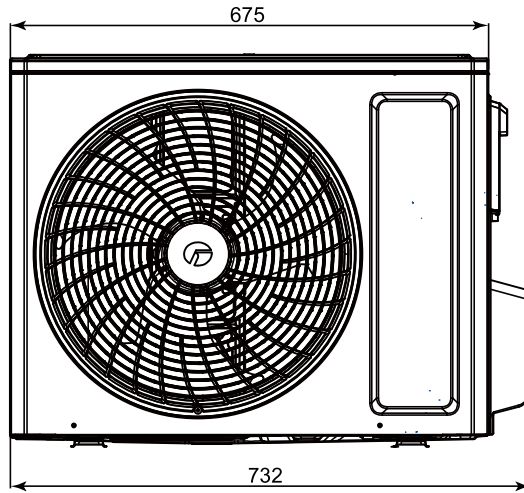
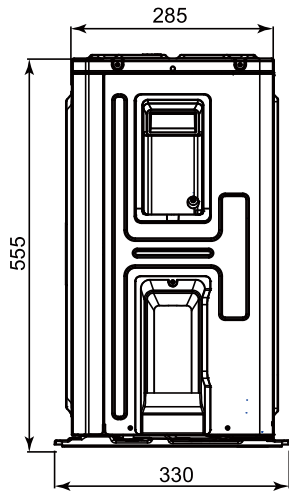


Model	W	H	D	W1	W2	W3
ACC	889	294	212	146	542	201
ACD	1013	307	221	125.5	685	202.5
ACE	1122	329	247	207	685	230

* Recommended distance

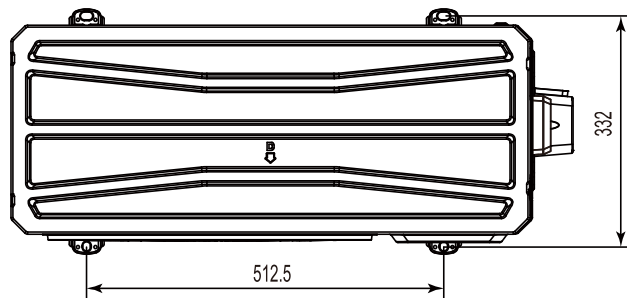
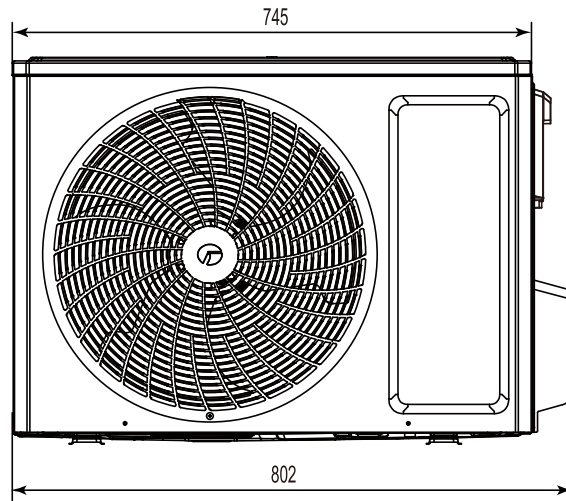
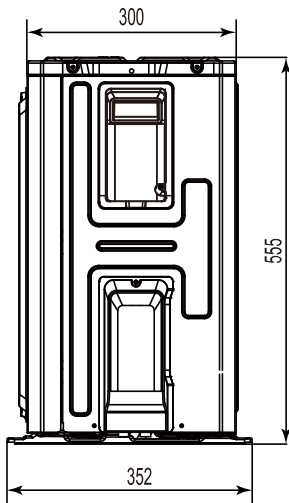
3.2 Outdoor Unit

GWH09AFC-K6DNA2F/O GWH12AFC-K6DNA2F/O



Unit:mm

GWH18AFD-K6DNA2I/O



Unit:mm